



A. J. CHARLTON & SONS LTD



The Sawmills, Buckland Down, Frome, Somerset BA11 2RH

CHARLTON GATES

A range of traditional wooden gates, fencing and timber products

GATE HANGING AND INFORMATION LEAFLET



The natural choice to create an entrance!

Fittings and Hanging Examples for Quality Gates

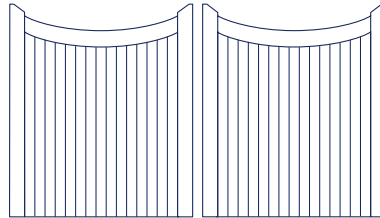
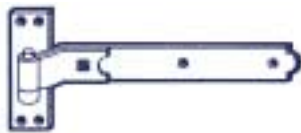
For singles and pairs

For pairs only

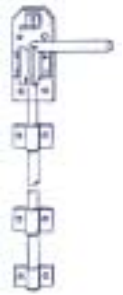
Ring Latch



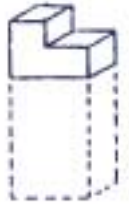
Pin on Plate Hinges
(Cranked)



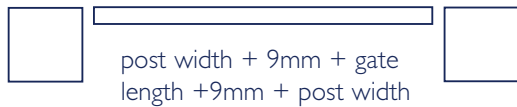
Drop Bolt
& Socket



Gate Stop



Single Gate



Pair of Gates



Pairs of Manor Range Gates should always have a bolt fitted to each of the two gates plus a centre gate stop. All Manor Range Gates should have a device fitted such as a drop bolt or a stout cabin hook to secure them when open as well as closed. Pairs of Manor Gates should should always have a drop bolt fitted to each of the two gates, plus a centre gate stop.

Fittings and Hanging Examples for Classic Gates

For singles and pairs

For pairs only

Ring Latch

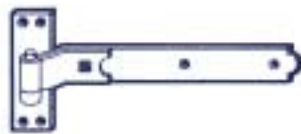


OR

Auto Gate Latch

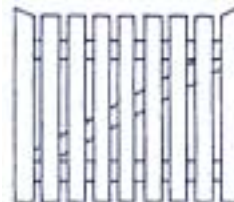
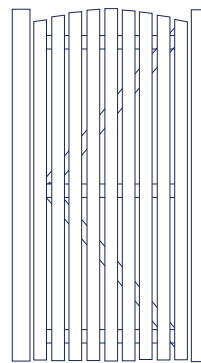


Pin on Plate Hinges
(Cranked)

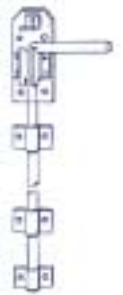


OR

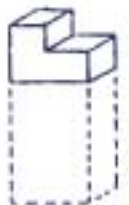
Tee Hinge



Drop Bolt
& Socket



Gate Stop



Auto Gate Latch and Tee Hinge recommended for wicket gate only.

Single Gate

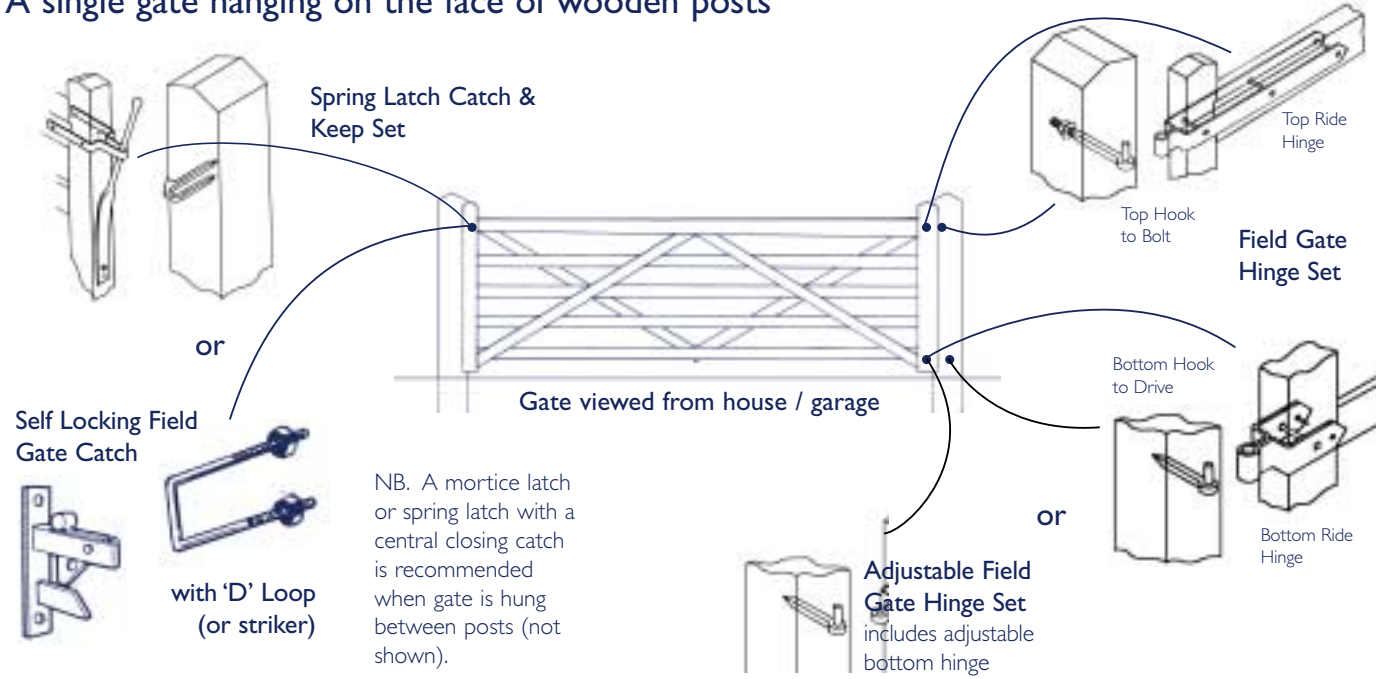


Pair of Gates



Fittings and Hanging Examples for Entrance Gates

A single gate hanging on the face of wooden posts



Gate hung and closing on face of post

(Most popular method)

Distance between posts = gate length minus 75mm.

Open one way only 180°



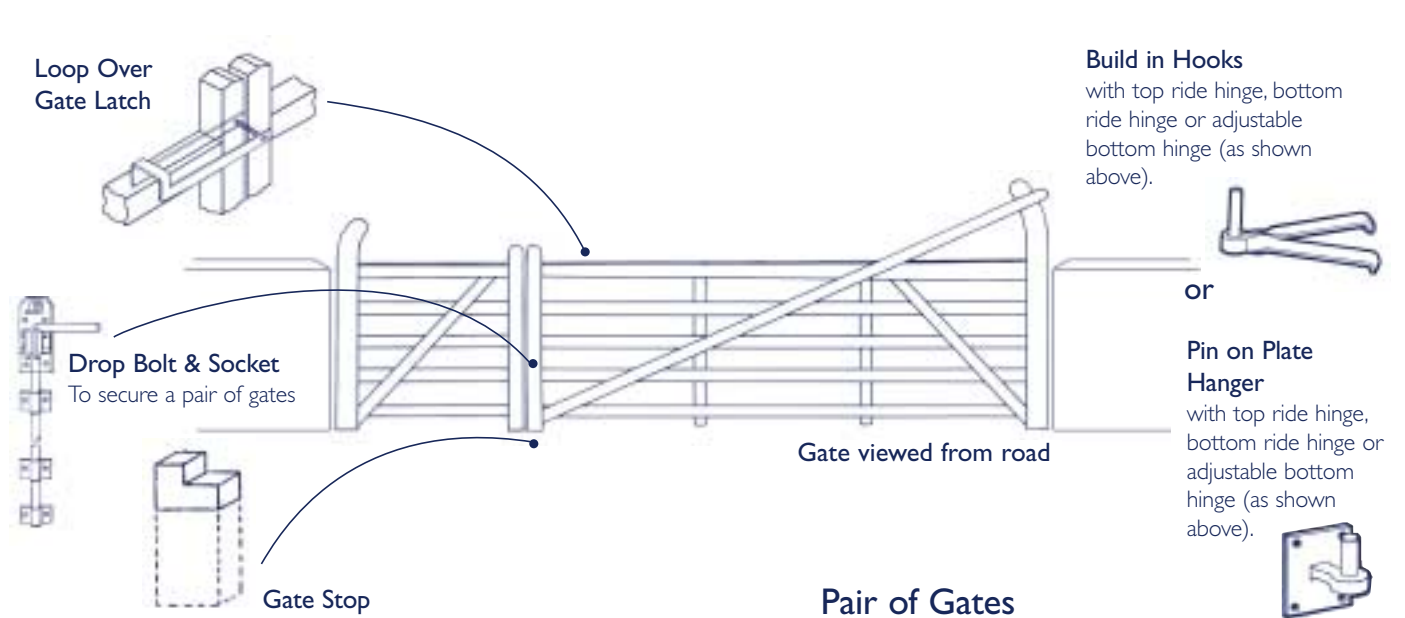
Gate hung and closing between post

Distance between post = gate length plus 165mm.

Opens both ways 110°



A pair of gates hanging between stone pillars or walls



Pair of gates hung and closing on face of posts

Distance between posts = combined gate lengths minus 75mm or just over.

Opens one way only 180°

Pair of gates hung and closing between posts

Distance between posts = combined gate length plus 230mm or just over.

Opens both ways 110°

Pair of Gates



Post and Hinges Guide

GATE WIDTH	POST SIZE	HINGE
QUALITY GATES - MENDIP, MELLS AND HILTON		
3'0" to 3'6"	7'0" X 5" X 5" (2130 x 125 x 125mm)	18" Pin on Plate
4'0"	" " " " " " "	20" " " "
4'6" to 6'0"	" " " " " " "	24" " " "

Top hinge for Mells gate is curved

MANOR RANGE

3'0"w x 6'0"h	9'0" x 4" x 4" (2740 x 100 x 100mm)	24" Pin on Plate
4'0"w x 6'0"h	9'0" x 5" x 5" (2740 x 125 x 125mm)	" " " "
5'0"w x 5'0"h	8'0" x 6" x 6" (2440 x 150 x 150mm)	30" " " "
6'0"w x 6'0"h	9'0" x 7" x 7" (2740 x 175 x 175mm)	" " " "
7'0"w x 7'0"h	10'0" x 8" x 8" (3050 x 200 x 200mm)	" " " "

Use three hinges per gate over 5'0" high x 4'0" wide

ENTRANCE GATES

3'0" to 4'0"	7'0" x 5" x 5" (2130 x 125 x 125mm)	12" Adjustable Hinge Set
5'0" to 7'0"	7'0" x 6" x 6" (2130 x 150 x 150mm)	18" " " "
8'0" to 12'0"	7'0" x 7" x 7" (2130 x 175 x 175mm)	24" " " "
13'0" to 14'0"	7'0" x 8" x 8" (2130 x 200 x 200mm)	24" " " "

CLASSIC RANGE – WICKET/CURVED WICKET

3'0" to 4'0"	5'0" x 4" x 4" (1525 x 100 x 100mm)	18" Tee Hinge
--------------	-------------------------------------	---------------

PINEWOOD/PASTURE/CHILTERN

3'0"	5'0" x 4" x 4" (1525 x 100 x 100mm)	14" Pin on Plate
3'6" to 5'0"	5'0" " " " " " "	16" " " "
5'6" to 6'0"	6'0" " " " " " "	18" " " "

COUNTRY/ORCHARD/TALLPINE

3'0"	9'0" x 5" x 5" (2740 x 125 x 125mm)	18" Pin on Plate
------	-------------------------------------	------------------

TOWN

3'0"w x 4'0"h	7'0" x 4" x 4" (2130 x 100 x 100mm)	18" Pin on Plate
3'0"w x 5'0"h	8'0" x 4" x 4" (2440 x 100 x 100mm)	18" " " "
3'0"w x 6'0"h	9'0" x 5" x 5" (2740 x 125 x 125mm)	18" " " "

CARE OF YOUR GATE

In common with all natural timber products that are exposed to the elements, your gate will be affected by the weather and conditions in which it is stored and used (**All gates need to be stored undercover until treated**).

The timber will tend to dry out particularly quickly under extremes of sunshine and wind and this may lead to visible signs of "checking and splitting"; such visual deterioration will be minimised by the use of a vapour permeable treatment such as produced by Cuprinol and other leading manufacturers. This should be applied over the whole of the gate, including underneath, before exposure to the weather.

We recommend that your gate is given two or three coats of such treatment immediately upon delivery and retreated as recommended by the treatment manufacturer. If gates are not treated we regret that complaints will not be recognised.